



DOME CAMERA

Installation Manual

Housing ID

V4DIMWH660830S1

Dome Camera

Installation Manual

Copyright

© 2019, Infinique Worldwide Inc. All rights reserved.

Trademarks

Infinique and the Infinique logo, are registered trademarks of Infinique Worldwide Inc. Other product names mentioned herein may be the trademarks of their respective owners. Unless stated explicitly and in writing, no license is granted with respect to any copyright, industrial design, trademark, patent or other intellectual property rights of Infinique Worldwide Inc. or its licensors.

Disclaimer

This document has been compiled and published covering the latest product descriptions and specifications. The contents of this document and the specifications of the products discussed herein are subject to change without notice. Infinique Worldwide Inc. reserves the right to make any such changes without notice. Neither Infinique Worldwide Inc. nor any of its affiliated companies: (1) guarantees the completeness or accuracy of the information contained in this document; or (2) is responsible for your use of, or reliance on, the information.

Infinique Worldwide Inc shall not be responsible for any losses or damages (including consequential damages) caused by reliance on the information presented herein.

Important Safety Instructions

This manual provides installation instructions for the cameras with housing id mentioned on the front page.

1. Before installing the camera read this manual carefully, as incorrect installation could cause in unexpected faults.
2. Comply with the power supply specifications as required for this equipment and select the correct power supply.
3. In case that the equipment fails to operate properly, immediately contact the manufacturer or the nearest service center, instead of disassembling or changing it in any way on your own. For cleaning of the lens, be sure to use an air blower or dedicated lens cleaner.
4. For cleaning of the plastic shield, use a soft and dry cloth to wipe it. Do not use any detergent containing alcohol or benzene.
5. Do not drop any object onto the device or knock heavy on the equipment.
6. Do not install the camera toward any strong light source, lighting lamp or sun, which may cause over-exposure or light leakage and impair life of the camera.
7. Do not install the camera in a place where chemical substances or oil mist may be generated, as this may damage the camera.
8. Do not install the camera near magnetic sources.
9. Avoid use of the equipment in environment other than suggested in this manual.
10. Prevent water or any other liquid from flowing into the equipment.
11. Use of excessive force and non-compliant tools during installation of camera may result in damage and malfunction.
12. Installing the camera in water can cause serious damage to the product.
13. Installing the camera that has not been recommended, may result in damage and malfunction. Install the camera as per the instructions given in the installation manual.
14. For replacement of any part, contact the distributor in advance and make replacement with a new one, or similar components which have the same specification.
15. Change of any part in the device without authorization is not permitted and will result in void of warranty.

Warning

NO USER-SERVICEABLE PARTS INSIDE. REFER SERVICING TO QUALIFIED SERVICE PERSONNEL ONLY. SERIOUS INJURY MAY OCCUR IF WARNINGS ARE NEGLECTED.

Setting up of device passwords and security settings will be the responsibility of the system installer or end user.

Connecting multiple devices to a single power adapter may result in overload, over heating and fire hazard.

Do not use this apparatus near water and clean only with a dry cloth.

Do not install near any heat sources such as radiators, heat registers, or other apparatus that produce heat.

Protect the power cord from being walked on or pinched particularly at plugs, convenience receptacles, and the point where they exit from the apparatus.

Unplug this apparatus. When a cart is used, use caution when moving the cart/apparatus combination to avoid injury from tip-over.

Caution



The lightning flash with an arrowhead symbol within an equilateral triangle is intended to alert the user to the presence of un-insulated "dangerous voltage" within the product's enclosure that may be of sufficient magnitude to constitute a risk of electric shock to the person.



The exclamation point within an equilateral triangle is intended to alert the user to presence of important operating and maintenance (servicing) instructions in the literature accompanying the appliance.

FCC For Class-A Digital Device

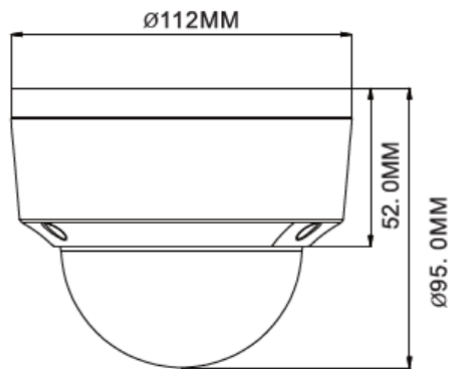
A CLASS-A digital device complies with Parts 15 of the FCC Rules. Operation is subject to the following two conditions. This device may not cause harmful interference.

This device must accept any interference received, including interference that may cause undesired operations.

Product Overview



Dimensions



Network

Network Port	10/100M BASE-TX, RJ-45 Connector
Cabling Type	Category 6 and higher
Network Protocol	IPv4, HTTP, TCP/IP, UDP, RTP, RTSP, RTCP, DNS, DDNS, DHCP, FTP, NTP, PPPOE, SMTP, UPNP
ONVIF Protocol	ONVIF Compliant Profile-S
PC Web Browser	IE 6.0 Above; Mozilla Firefox; Google Chrome
Mobile Device	Windows Mobile, Symbian, iPhone, Android

Mechanical

Housing ID	V4DIMWH660830S1
Dimensions	Φ112 x 95(H) mm Housing
Weight	499g
Housing Material	Vandal Resistant Aluminium Alloy
Finish	White Powder Coat
Installation	Flush, Ceiling, Wall Mount

Electrical

Power Consumption ,	580mA, 12V DC, 7 Watts
Power Source	PoE IEEE802.3af; DC12V ±10%; AC 24±10%
Input Voltage	PoE, DC 12V
RTC Backup Battery	3V Magnesium Lithium

Environmental

Operating Temperature	-10°C to +50°C / -14°F to +122°F
Storage Temperature	-20°C to +60°C / -4°F to +140°F
Operating Humidity	0% - 95% non condensing
Ingress Protection Rating	IP66

Camera Installation Checklist

A separate LAN network has been installed for the security system to meet the required bandwidth

Ethernet Cable installed has been laid without any twists and kinks and with a channel length of less than 90 meters

CCTV Cable installed has passed the fluke test for continuity and channel performance.

Crimped RJ45 Connectors should be taped to avoid dust ingress until connected to the camera

CCTV Cable laid is at least 12" from fluorescent lighting and power lines between 2 & 5 kVA

CCTV Cable laid is at least 40" from transformers and motors

Proper isolators are used to eliminate ground loop issues and No Ground Loop issues are found

Cameras should be installed in dust free environment

Cameras installed are covered with a polythene bag till the installation site is free of dust

Water proof cable junction box have been used for all outdoor cameras to conceal the cable termination

RJ45 connector of the camera is sealed using self-amalgamating tape and is air tight

Indoor cameras have been installed in proper air conditioning environment.

Camera lens used has the correct focal length and provides the required field of view

Installed cameras field of view covers the designated areas as per the local laws and regulation

For Cameras that do not function in low light areas, to improve visibility supplementary lighting is provided

Cameras do not face directly into the sun when installed outdoors or any lighting when installed indoors

In locations that are directly facing a source of light (entrances and exits), WDR cameras have been used

The camera view is in focus all the time under changing lighting conditions

Night recording has been tested for the IR Cameras installed

The PoE switch installed has sufficient power budget to power all the cameras connected to it. If direct power is provided then adequate power should be provided to power the camera.

Alarms interfaces have been tested and are triggered as configured (If applicable)

UPS installed should be tested for continues system operation when there is a power outage

Installation

Ensure the package contains all the parts listed and is in good condition.

The camera can be powered either by PoE or a 12V DC power supply

The camera shall be installed in an area either ceiling or wall that can withstand 5 times the weight of the camera including the installation bracket.

As this is an IR Camera, ensure that there is no reflective surface close to the camera, as it may result in poor picture quality.

Make sure all the related equipments are powered off during the installation.

Avoid use of excessive force when installing the product, as this may result in camera damage and malfunction.

Adjust Camera Field of View



Using the L wrench provided, remove the dome cover by removing the three screws on the camera. Using the three axis bracket of the camera it can be:

1. Rotated the camera 0° to 360°
2. Adjust the pan angle from 0° to 360°
3. Tilt the camera from 0 ° to 100°

Micro SD Card

The camera supports Micro SD/SDHC/SDXC memory cards. It is recommended to use a 16GB to 256GB (MLC type) memory card for this camera. Playback performance can be affected depending on the speed of memory card.

Inserting or Removing

Before inserting or removing the Micro SD Card:

The power cable should be disconnect from the camera .

The Camera should be <Off>. If the camera is not off when removing or remove the Micro SD Card that contains data, the data may be lost or damaged.

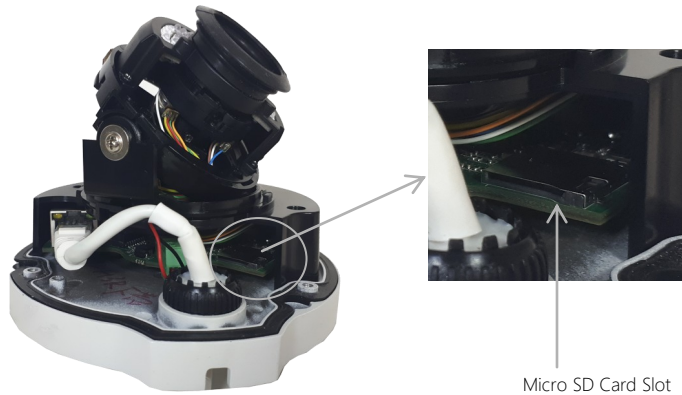
Insert the Micro SD Card gently, use of excessive force may damage it.

Inserting or removing of Micro SD Card is not recommended when the humidity is high or when it is raining.

Assemble the dome cover back within 5 minutes, to avoid malfunction.

Steps for Inserting the Micro SD Card

1. Separate the Dome cover of the camera
2. Open the Micro SD Card cover
3. Insert the Micro SD Card in the arrow direction shown in the figure



Steps for Removing the Micro SD Card

Pressing too hard and applying force on the Micro SD Card can cause the card to shoot out uncontrollably from the slot when released.

Gently press down on the exposed end of the memory card to eject the Micro SD Card from the slot.

Directly Mounting the Camera on the Wall or Ceiling

The camera can be mounted on either the wall or the ceiling.

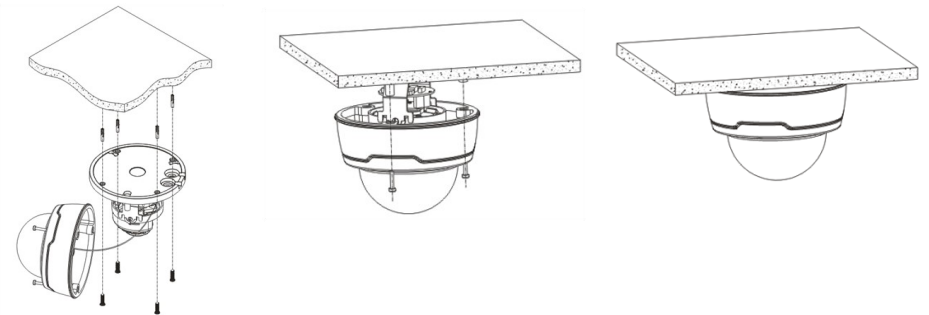
First test the camera prior to installing, to check if it is functioning well.

Plan how to run the cables either through or along the wall or ceiling where drilling may be required. Cable should be properly secured.

To keep the camera base flushed to the surface, run the cable through the cable notch present at the base of the camera.

Installation Steps

1. Stick the mounting template in the desired location
2. Drill the screw holes accordingly as per the mounting template
3. Remove the Dome Cover of the Camera
4. Feed the cable through the camera base. If you are running the cables against a wall or ceiling, pass the cable through the cable notch.
5. Align the mounting holes of the camera base to the mounting template. Mount the camera base to the mounting surface using the screws. Insert the anchors if installing on a drywall.
6. Crimp the LAN Cable and connect the LAN Cable to the Camera Ethernet Port
7. Install the water proof connector as per the instructions given in this manual
8. Adjust the camera field of view as per the instructions given in this manual
9. Assemble the dome cover back on the camera securely with the screws provided using the L wrench,



Installing Water Proof Connector

When you install the camera both indoor or outdoors, waterproof to keep both dust and moisture out to prolong the life of the camera. Water-proof accessories are provided along with the camera.

Water Proof Connector Parts

1. Washer
2. Lock Nut
3. Rubber Gasket
4. End Cap



Steps

Insert the End Cap in the LAN Cable

Slide the Rubber Gasket on the LAN Cable

Insert the Lock Nut in the LAN Cable

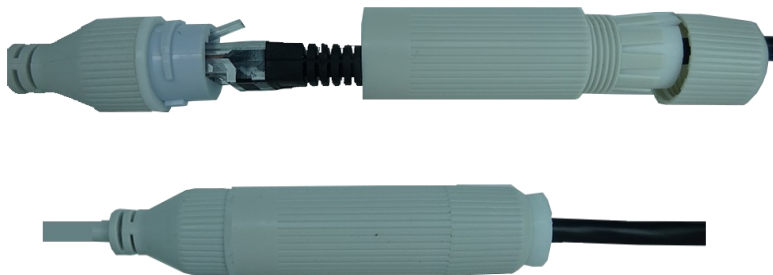
Insert the Washer on the thread of the Camera Ethernet Port

Tighten the Lock Nut on the Camera Ethernet Port

Gently Push the Rubber Gasket into the Lock Nut

Tighten the End Cap into the Lock Nut

Optionally the water proof connector can be sealed using self-amalgamating tape for additional protection against humidity.

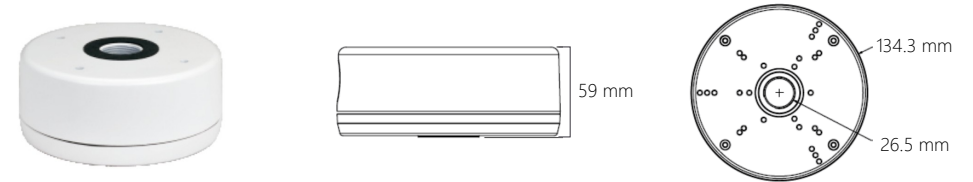


Optional Accessories

Accessories mentioned below are available with this camera for easier installation.

1. Junction Box, Part Number: ICBVWM

This Junction Box is used to install the Dome camera on a concrete ceiling or wall.



2. Pendant Mount Bracket, Part Number: IBDCPM

This bracket is used to install the camera on a concrete ceiling along with the junction box. This is used in scenarios where the ceiling is at a high level.



3. Wall Mount Bracket, Part Number: IBDCWM

This bracket is used to install the Dome camera on a wall to conceal the cables.



Power Supply

If DC 12V and PoE power are both connected to the camera at the same time, the camera will operate with the external power (DC 12V).

Use a router featuring PoE or PoE Switch to supply power to the camera.

Use PoE that is compliant with the IEEE 802.3af protocols.

It is recommended to use either PoE or DC 12V alone rather than in combination.

Connect the adapter power line first to the Camera, and then connect the power cable to the outlet on the wall.

Infinique Worldwide Inc.
513, 4185 Shipp Drive
Mississauga, Ontario
Canada, L4Z 2Y8
Email: sales@infinique.com

Infinique Middle East FZCO
901 Le Solarium Building
Dubai Silicon Oasis
Dubai, United Arab Emirates
Email: sales.me@infinique.com

Infinique Korea
54, Cheomdanyeonsin-ro
30 Beon-gil, Buk-gu
Gwangju, South Korea
Email: sales.kr@infinique.com

© 2019 Infinique Worldwide Inc. Infinique is a registered trademark of Infinique Worldwide Inc. Canada. All other company names and products are trademarks or registered trademarks of their respective companies.



This document is protected by copyright and distributed under licenses restricting its use, copying, distribution and recompilation. No part of this document may be reproduced in any form by any means without prior written authorization of Infinique and its licensors. Information contained in this document is valid and correct at the time of its publication.

Product specification, design and availability subject to change without prior notice.

www.infinique.com